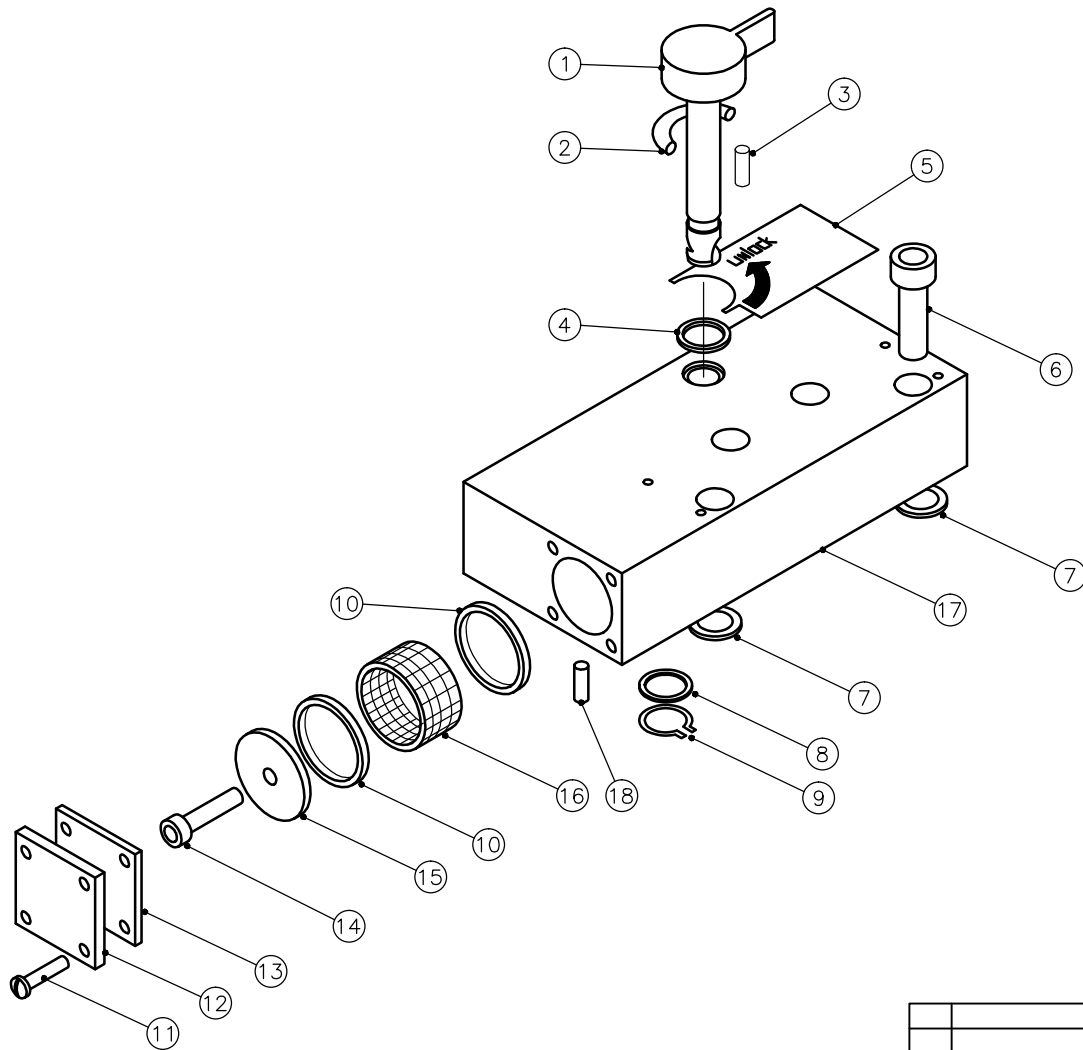


TEC 3 Plug On Block Assembly

No	Component	Mss Ref No	No	
1	Locking Lever Assembly	46177	1	
2	Return Spring	46345	1	
3	Stop Pin	015-100	1	
4	Washer	46293	1	
5	Label	M293782	1	
6	Screw, Skt.Hd.	N0012004	4	
7	Seal	57052	2	
8	Washer	46267	2	
9	Circlip	016-401	1	
10	Seal	57051	2	
11	Screw	N0030401	4	
12	Blank Plate	57085	1	
13	Seal	57086	1	
14	Screw	N0030011	1	
15	Locator	57049	1	
16	Filter	57050	1	
17	Plug On Block	46009	1	
18	Plunger Pin	46032	2	



ISSUE	MODIFICATION	DRG. No.	DRAWN	CHK'D	DATE	REV
1ST		NB			17.2.12	
SCALE	NTS	M-ASSY-05				0

MSS
 MEDICAL SUPPLIES & SERVICES INTERNATIONAL LTD.
 UNIT 5, VALLEY ROAD,
 KEIGHLEY, WEST YORKSHIRE. BD21 4LZ

THIS DRAWING IS NOT TO BE REPRODUCED WITHOUT THE WRITTEN PERMISSION OF MEDICAL SUPPLIES & SERVICES LTD.
 © MEDICAL SUPPLIES & SERVICES INTERNATIONAL LIMITED
 TEL (01535) 692424 FAX (01535) 692525

TITLE
 Tec 3
 Plug On Block Assembly