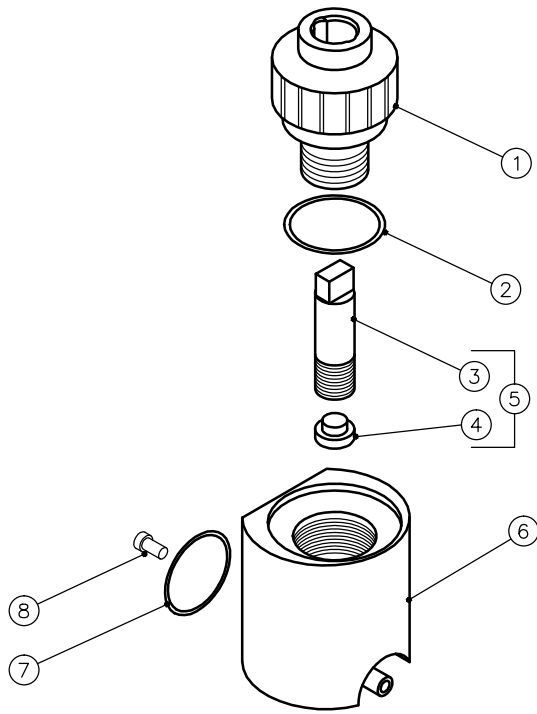


TEC 3 Screw Cap Filler Assembly

No	Component	Mss Ref No	No	
1	Filler Cap	M2114084	1	
2	"O" Ring	MSS-702	1	
3	Drain Screw	M2114080	1	
4	Drain Plug	M2114082	1	
5	Drain Plug Assembly	M2114224	1	
6	Filler Body	M2114208	1	
7	Fluon Washer	M2114192	1	
8	Hex Head Screw	MN030203B	2	



1ST		NB	18.7.11
ISSUE	MODIFICATION	DRAWN	CHK'D
SCALE	DRG. No.	DATE	REV
A4	NTS	M-ASSY-04	0

MSS
 MEDICAL SUPPLIES & SERVICES INTERNATIONAL LTD.
 UNIT 5, VALLEY ROAD,
 KEIGHLEY, WEST YORKSHIRE, BD21 4LZ

THIS DRAWING IS NOT TO BE REPRODUCED WITHOUT THE WRITTEN PERMISSION OF MEDICAL SUPPLIES & SERVICES LTD.
 © MEDICAL SUPPLIES & SERVICES INTERNATIONAL LIMITED
 TEL (01535) 692424 FAX (01535) 692525

TITLE
 Tec 3 Vaporiser
 Screw Cap Filler Assembly