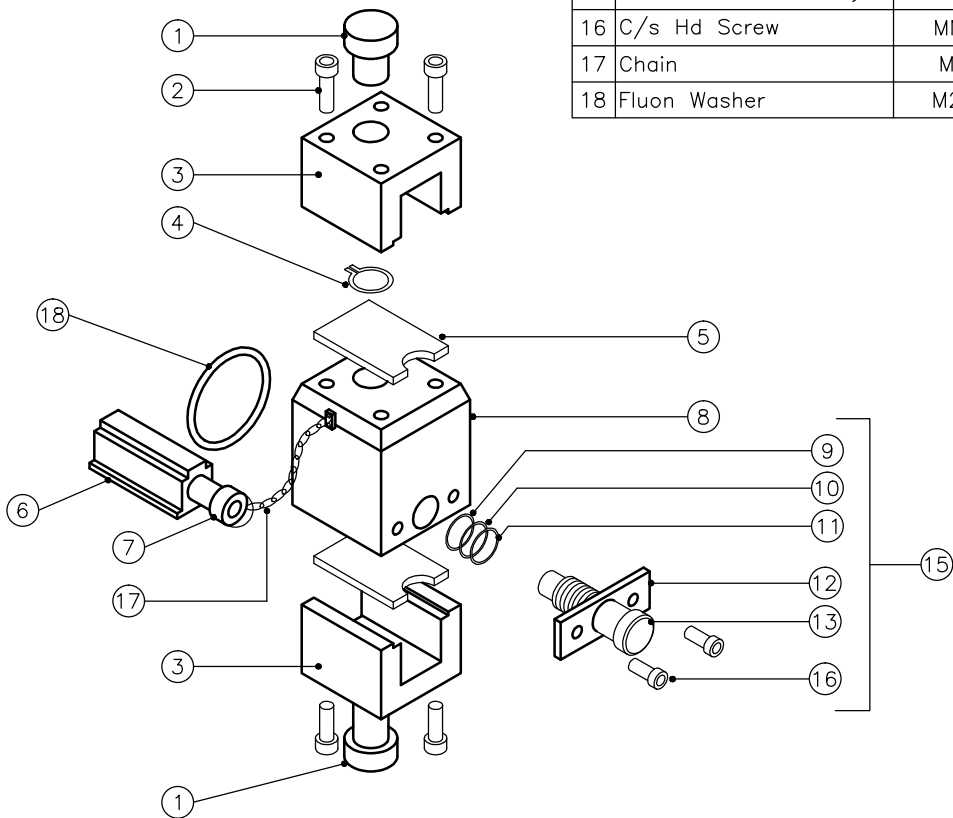


TEC 3 KEYED FILLER ASSEMBLY

No	Component	Mss Ref No	No	
1	Clamp Screw	M295034	2	
2	Skt Head Screw	MN032005	8	
3	Bridge-Halothane	M295026	2	
3	Bridge-Isoflurane	M2107026	2	
3	Bridge-Sevoflurane	M265006	2	
4	Circlip	M016-300	2	
5	Bridge Gasket	M295024	2	
6	Dummy Plug-Halothane	M295044	1	
6	Dummy Plug - Isoflurane Universal	M2107044	1	
6	Dummy Plug-Sevoflurane	M265008	1	
7	Screw	MN030203B	2	
8	Body	M2115012	1	
9	Circlip	M016-302	1	
10	Thrust Washer	M295014	1	
11	"O" Ring	MSS-700	1	
12	Drain Screw Seal Cover	M295016	1	
13	Drain Screw	M295048	1	
14	Plug	M295022	1	
15	Drain Screw Assembly	M295070	1	
16	C/s Hd Screw	MN030301	2	
17	Chain	M295046	1	
18	Fluon Washer	M2114192	1	



1ST		NB		18.7.11
ISSUE	MODIFICATION	DRAWN	CHK'D	DATE
SCALE	DRG. No.			REV
A4	NTS	M-ASSY-02		0

MSS

MEDICAL SUPPLIES & SERVICES INTERNATIONAL LTD.
 UNIT 5, VALLEY ROAD,
 KEIGHLEY, WEST YORKSHIRE. BD21 4LZ

THIS DRAWING IS NOT TO BE REPRODUCED WITHOUT THE
 WRITTEN PERMISSION OF MEDICAL SUPPLIES & SERVICES LTD.
 ©MEDICAL SUPPLIES & SERVICES INTERNATIONAL LIMITED
 TEL (01535) 692424 FAX (01535) 692525

TITLE
 TEC 3 KEYED FILLER
 ASSEMBLY