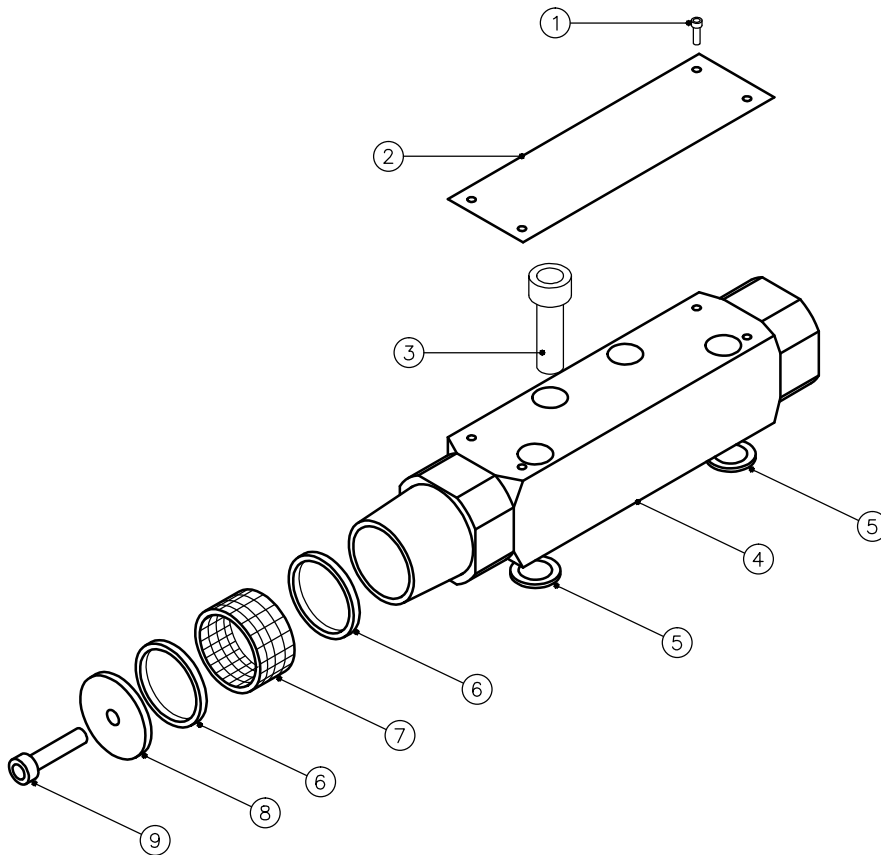


### TEC 3 Inlet Outlet Block Assembly

No	Component	Mss Ref No	No	
1	Screw for Serial Plate	MN701301	4	
2	Serial Plate	MSS03	1	
3	Socket Head Screw	MN012004	4	
4	23mm Cagemount Block	M2114120	1	
5	Fluon Seal	M2114104	2	
6	Seal	M2114102	2	
7	Sintered Filter	M2114100	1	
8	Locator	M2114098	1	
9	Cheese Head Screw	MN030011	1	



1ST		NB	18.7.11
ISSUE	MODIFICATION	DRAWN	CHK'D
SCALE	DRG. No.	REV	
A4	NTS	M-ASSY-03	0

**MSS**  
 MEDICAL SUPPLIES & SERVICES INTERNATIONAL LTD.  
 UNIT 5, VALLEY ROAD,  
 KEIGHLEY, WEST YORKSHIRE. BD21 4LZ

THIS DRAWING IS NOT TO BE REPRODUCED WITHOUT THE  
 WRITTEN PERMISSION OF MEDICAL SUPPLIES & SERVICES LTD.  
 © MEDICAL SUPPLIES & SERVICES INTERNATIONAL LIMITED  
 TEL (01535) 692424 FAX (01535) 692525

TITLE  
 Tec 3 Vaporiser  
 Inlet Outlet Block